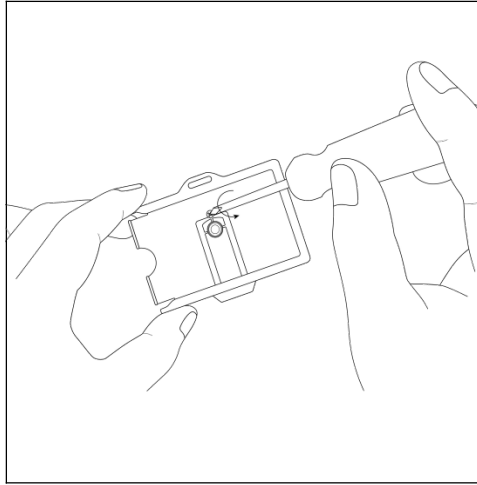
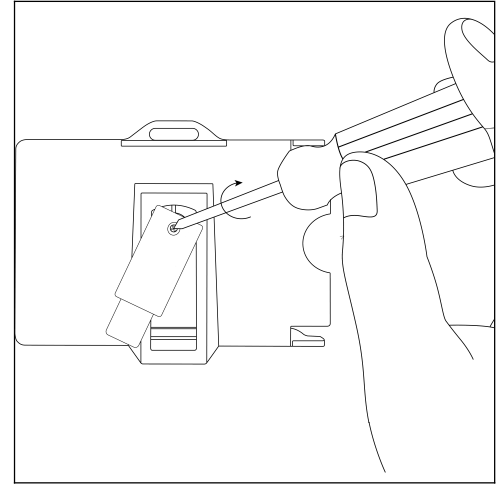


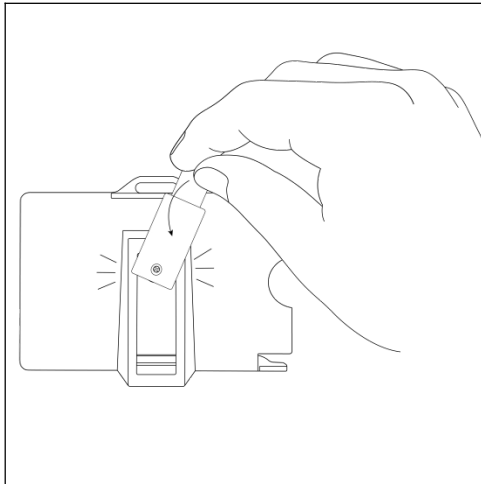
1) Gather tools



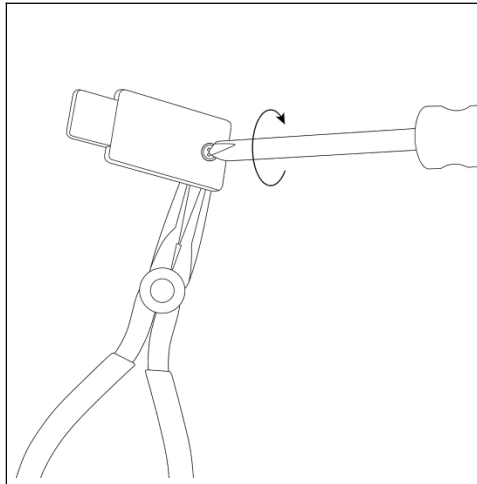
2) Remove Screw



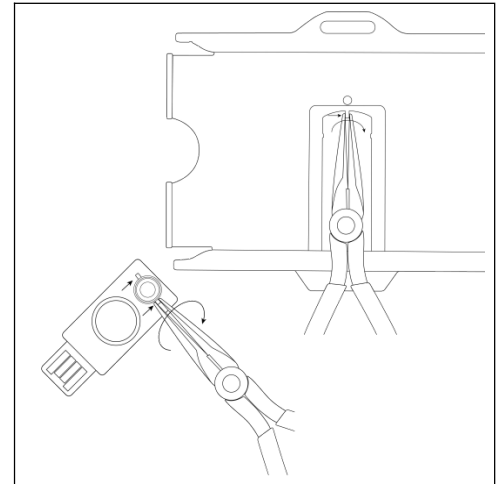
3) Gently screw in MFA device face down



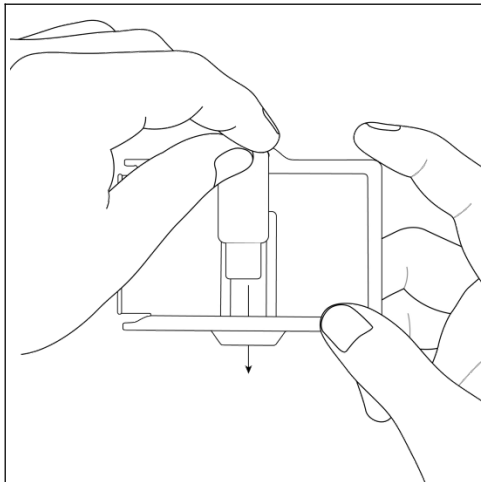
4) Break away button



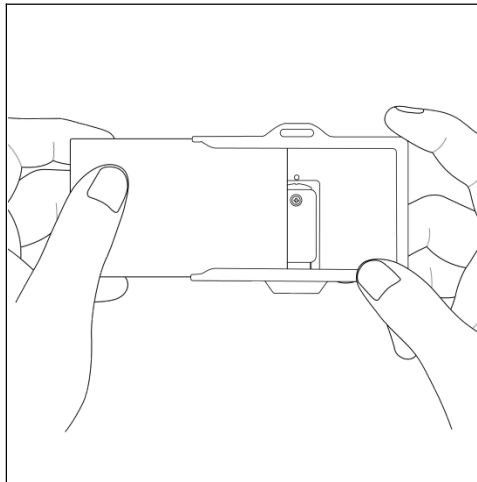
5) Tighten if needed



6) Remove tabs



7) Install MFA device



8) Install cards



Assembly video

### **! WARNING !**

Small parts choking hazard  
Keep away from children and pets

US Patent Pending  
© 2022 B1G FRY Design LLC